



## HEALTHGUARD SHOWERHEAD

Niagara Conservation showering products are highly efficient and affordable while also helping you conserve water and energy in your home through our highly efficient flow rates. All Niagara Conservation showering products are equipped with a patented internal pressure compensator which enables a consistent output and flow of water regardless of available water pressure. Niagara Conservation products are preferred by professionals and consumers alike because of their ability to conserve energy and water without sacrificing quality or performance. Our Niagara Conservation branded HealthGuard Showerhead features a removable, anti-microbial faceplate for easy cleaning.

### THE FEATURES

- Five spray settings
- Pressure compensated technology guarantees a consistent flow rate across a wide range of pressure
- 4.3" face diameter
- Corrosion-resistant, high-impact ABS thermoplastic body with metal ball joint
- Removable, anti-microbial faceplate
- 10 year warranty\*\*\*



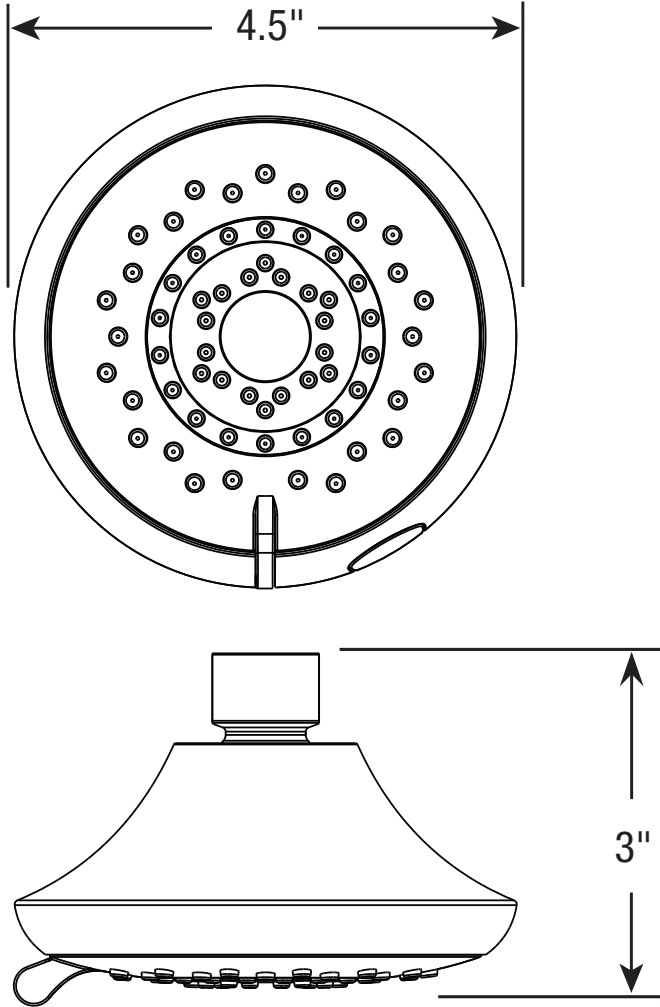
Removable Faceplate

MODEL #	FINISH	FLOW RATE	CASE QTY.
N9415CH	Chrome	1.5 GPM	30

### THE POTENTIAL ANNUAL SAVINGS\*

	FLOW RATE	WATER	ELECTRIC HEATING	GAS HEATING
DOLLAR SAVINGS	1.5 GPM	\$73	\$129	\$72
UTILITY SAVINGS	1.5 GPM	8,760 gallons	1,138 kWh	63 therms

## THE DIMENSIONS\*\*



\*Factors in calculating savings potential:

- 3-person households each using a shower 9 minutes per day, 365 days per year (AWWARF Residential Study)
- Comparing water use with these showerheads vs. a standard 2.5 GPM unit
- US city average water and sewer cost of \$8.3 per 1,000 gallons (study done by NUS

\*\*Dimensions are subject to change

\*\*\*WARRANTY DETAILS

AM Conservation Group, Inc. guarantees to the original purchaser or recipient of a showerhead that it is free from defects in material and workmanship for a period of 10 years. AM Conservation Group, Inc. will at our choice replace any part of the showerhead which is in our opinion defective provided that the product has not been abused, misused, altered, or damaged after its purchase. This includes damage due to the use of tools or harsh chemicals. In the event a product has been discontinued, AM Conservation Group, Inc. will replace it with what we determine to be the closest product. AM Conservation Group, Inc. is not responsible for labor charges, installation, or other consequential cost. AM Conservation Group, Inc.'s responsibility shall not exceed the original cost of the product.

Consulting Group 2011)

- Average cost of electricity 0.113¢ per kWh (Energy Star Nov. 2013 Lightbulb Calculator — [http://www.energystar.gov/?c=cfls.pr\\_cfls\\_savings](http://www.energystar.gov/?c=cfls.pr_cfls_savings))
- Average cost of gas \$1.137 per therm (Bureau of Labor Statistics April 2014)
- Calculations done by <http://www.fishnick.com/savewater/tools/watercalculator>